

Product: 180 degree Hybrid Coupler

Part Number: LDC-1 /6-180S



Specification					
No.	Parameter	Minimum	Typical	Maximum	Units
1	Frequency range	1	-	6	GHz
2	Insertion Loss	-	-	1.8	dB
3	Phase Balance:	-	-	±7	dB
4	Amplitude Balance	-	-	±0.7	dB
5	Isolation	17	-		dB
6	VSWR	-	-	1.6	-
7	Power			30	W cw
8	Operating Temperature Range	-40	-	+85	°C
9	Impedance	-	50	-	Ω
10	Connector	Sma-f			
11	Preferred finish	Black/yellow/silver			

Remarks:

1. Not include Theoretical loss 3db
2. Power rating is for load vswr better than 1.20:1

Environmental Specifications	
Operational Temperature	-40°C~+85°C
Storage Temperature	-50°C~+105°C
Vibration	25gRMS (15 degrees 2KHz) endurance, 1 hour per axis
Humidity	100% RH at 35°C, 95%RH at 40°C
Shock	20G for 11msec half sine wave, 3 axis both directions
Mechanical Specifications	
Housing	Aluminum
Connector	Passivated or stainless steel
Female Contact:	gold plated beryllium brass
Rohs	compliant
Weight	0.15kg

Outline Drawing:

All Dimensions in mm

Outline Tolerances ± 0.5(0.02)

成都利德尔科技有限公司 ChengDu Leader Microwave Technology Co.,Ltd

电话: 028-65199117 传真: 028-65199116

<http://www.leadermicrowave.com> sales@leader-mw.com

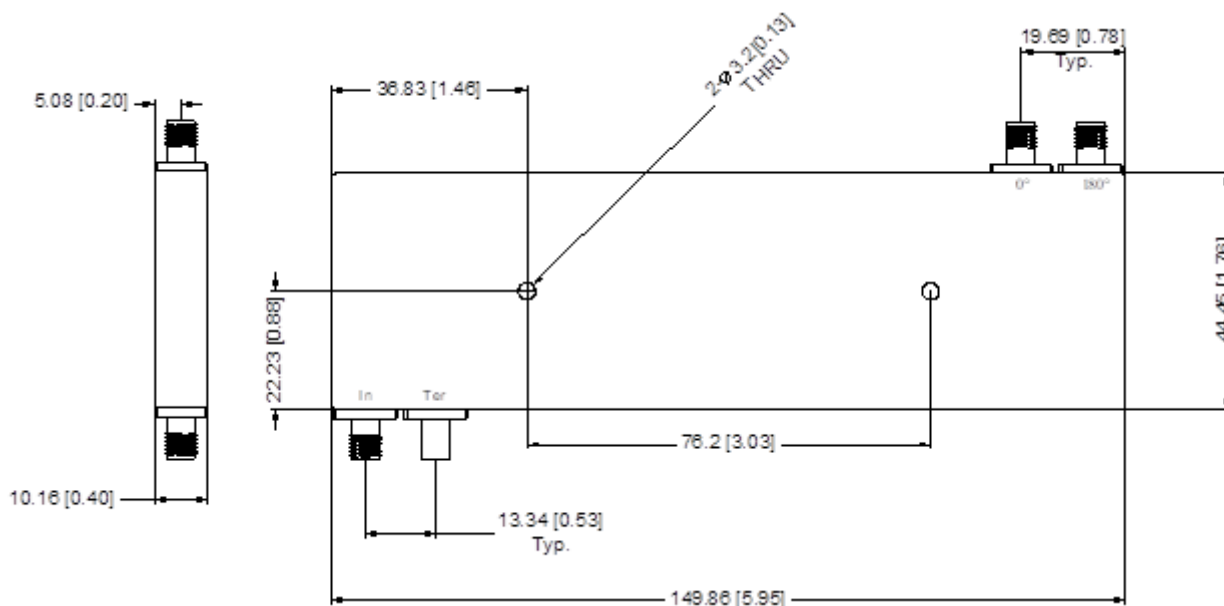
TEL: +86-28-65199117 FAX: +86-28-65199116

Add: 中国 成都市成华区华翰路 89 号 610000

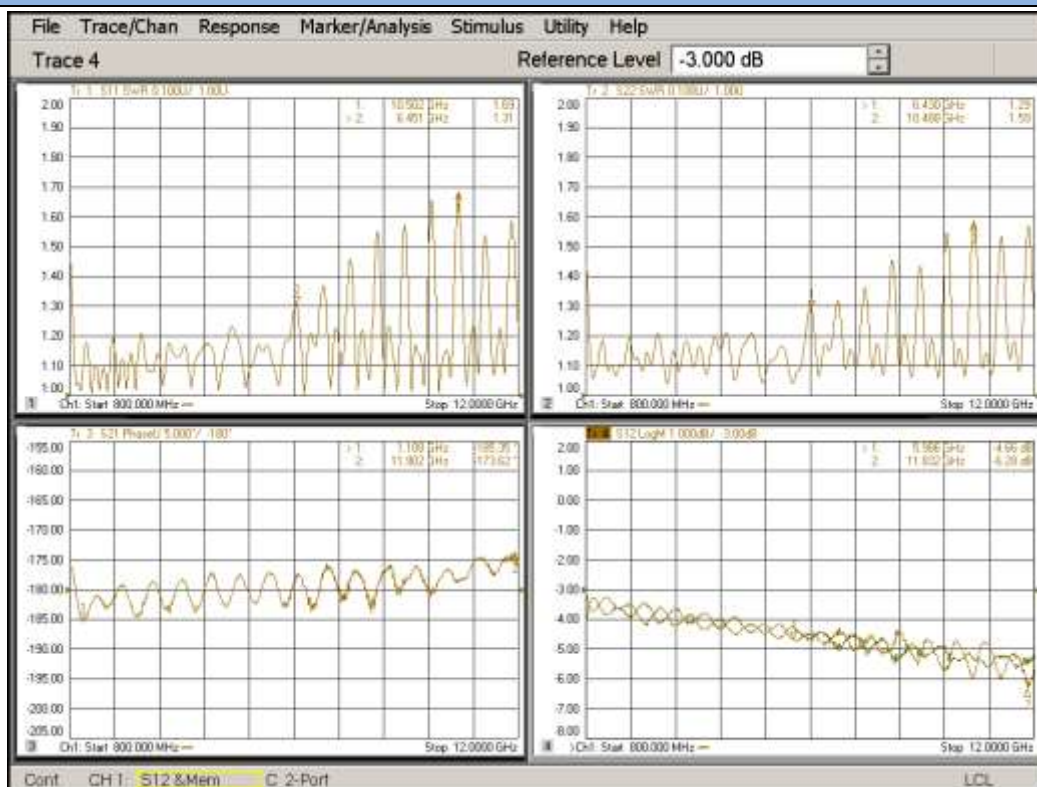
No.89,Huahan Road, chenghua Zone Chengdu, Sichuan China Zip Code:610000

Mounting Holes Tolerances $\pm 0.2(0.008)$

All Connectors: SMA-Female



TEST DATA



成都利德尔科技有限公司 ChengDu Leader Microwave Technology Co.,Ltd

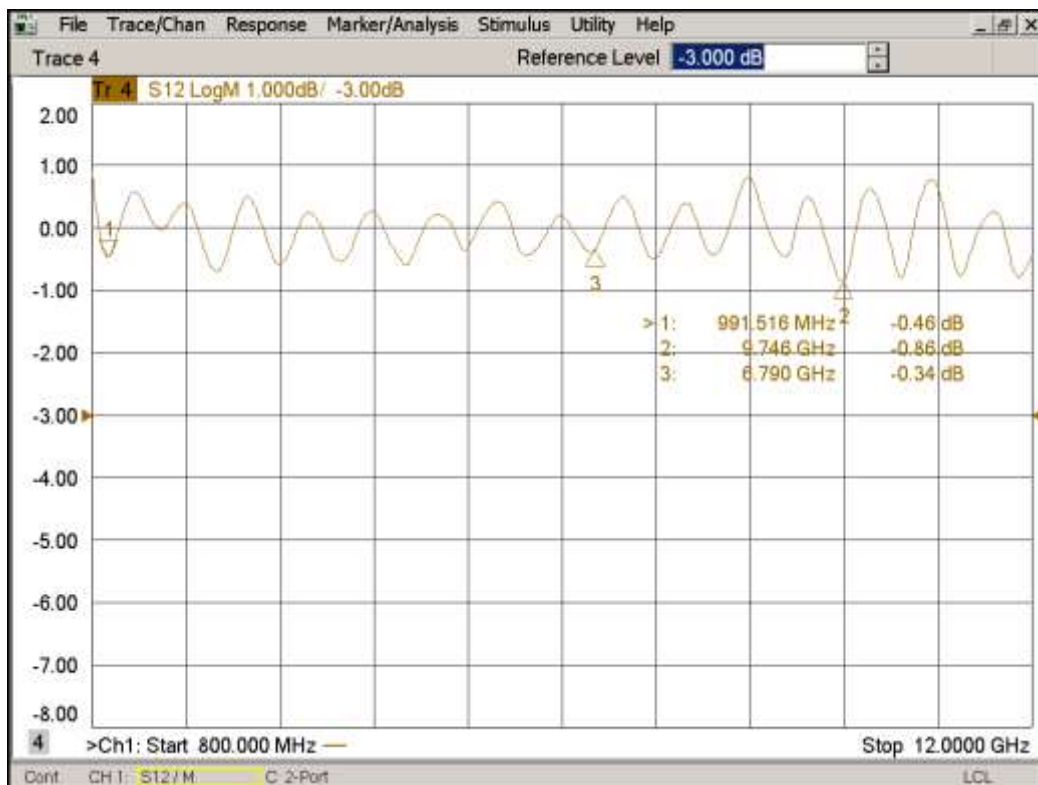
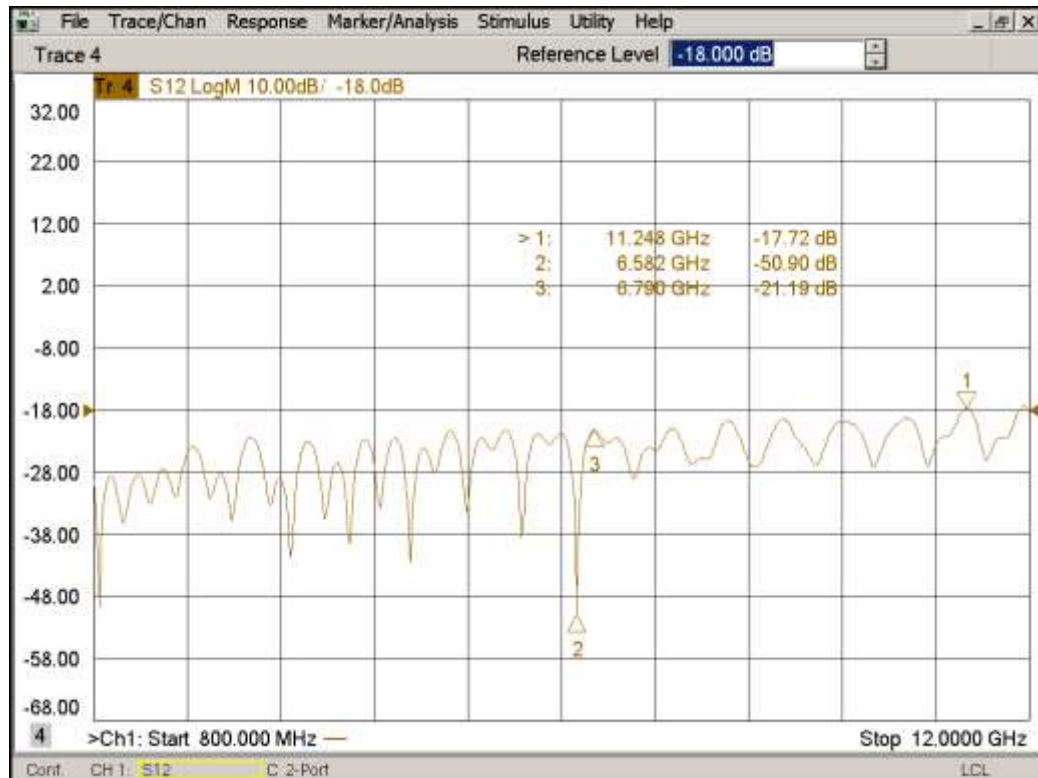
电话: 028-65199117 传真: 028-65199116

<http://www.leadermicrowave.com> sales@leader-mw.com

TEL: +86-28-65199117 FAX: +86-28-65199116

Add: 中国 成都市成华区华翰路 89 号 610000

No.89,Huahan Road, chenghua Zone Chengdu, Sichuan China Zip Code:610000



成都利德尔科技有限公司 ChengDu Leader Microwave Technology Co.,Ltd

电话: 028-65199117 传真: 028-65199116

<http://www.leadermicrowave.com> sales@leader-mw.com

TEL: +86-28-65199117 FAX: +86-28-65199116

Add: 中国 成都市成华区华翰路 89 号 610000

No.89,Huahan Road, chenghua Zone Chengdu, Sichuan China Zip Code:610000